

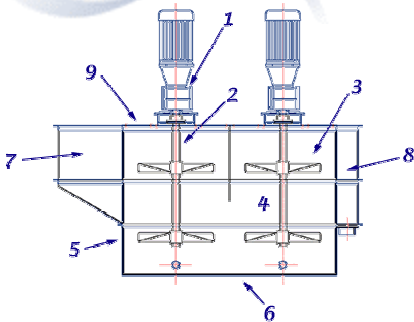
# WESTPRO attrition scrubbers

## applications

Westpro's versatile ATTRITION SCRUBBERS are specially developed for a vast range of applications.

- Soil remediation
- Mineral processing
  - Mineral grain cleaning & polishing
  - Liberation of mineral from slime coatings
  - Disintegration of clay agglomerates
  - Separation of sand grains from cementing minerals
- High intensity conditioning
- Efficient lime slaking

## components



### 1. Westpro Drive Unit

- High torque
- Direct drive
- Optional V-Belt Vari-speed or VFD variable speed
- Efficient
- Low maintenance
- Easy removal

### 2. Westpro Heavy Duty Shaft

- Carbon steel shafts with rubber covering
- Westpro custom high torque coupling

### 3. Westpro Powerful Impellers

- Opposing axial turbine impellers
- Efficient design providing extreme power into compartment
- Rubber or urethane covered
- Solid hub design

### 4. Westpro Baffled Compartments

- Engineered baffle placement
- No short circuiting
- Intense attrition within zone
- Greater efficiency

## advantages

- High intensity zone
- Baffled zone
- Efficient impeller design
- Heavy-duty design with high service factors
- Completely rubber lined
- Removable bottom liners
- Easy drive / wet end removal
- Variable speed options

### 5. Westpro Heavy Duty Rubber Lined Tank

- Engineered construction with reinforcement
- Thick rubber lining
- Custom designed for customer's installation

### 6. Westpro Removable Liners

- Rubber lined heavy-duty liners
- Designed for easy replacement

### 7. Westpro Feed Box

- Free flow design
- Customized for customer's application

### 8. Westpro Discharge Box

- Free flow design
- Output connection customized for customer's requirement

### 9. Westpro Top Covers

- Removable Top Covers cover agitation area



Feed Box



Discharge Box



Drive Unit



Impellers

Model #	Width	Height	Length	Volume (ft <sup>3</sup> )*	(m <sup>3</sup> )	HP / Cell
AS6-2	6"	9"	16"	0.3	0.008	0.75
AS12-2	12"	18"	30"	3	0.08	3
AS16-2	16"	24"	40"	6	0.17	5
AS20-2	20"	30"	54"	10	0.28	7.5
AS24-2	24"	36"	64"	20	0.57	10
AS32-2	32"	48"	80"	50	1.42	15
AS40-2	40"	60"	100"	90	2.55	25
AS48-2	48"	72"	120"	150	4.25	40
AS56-2	56"	84"	136"	250	7.08	60
AS64-2	64"	96"	164"	400	11.33	75
AS72-2	72"	108"	192"	500	14.16	100
AS80-2	80"	120"	220"	700	19.82	125

\* Above shows standard 2-cell units and their volume. Multiple cell units of 4-cell, 6-cell, and 8-cell are available.

**Westpro Equipment Company**  
 Suite 200 – 1200 North Federal Highway  
 Boca Raton, FL 33432  
 Tel: (561) 395-6955  
 Fax: (561) 395-7760  
 Toll Free: 1-877-WESTPRO (937-8776)  
 Email: [sales@westproequipment.com](mailto:sales@westproequipment.com)